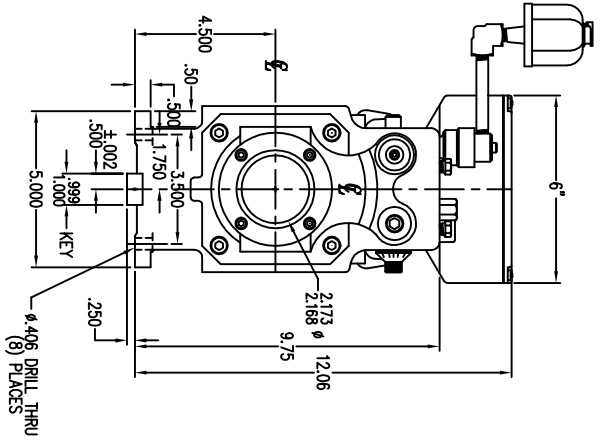


CODE	QTY	PART NO.	DESCRIPTION
1	1	21718-03	CYLINDER ASSEMBLY
2	1	21763-02	RETRACT ACTUATOR ASSEMBLY
3	1	21085-00	AUTOMATIC FILER VALVE ASSEMBLY
4	1	21087-03	MANIFOLD ASSEMBLY
5	2	20680-4	CAM BAR COVER
6	1	21727-06	HOUSING ASSEMBLY
7	1	21723-06	LEVER ARM ASSEMBLY
8	1	21722-06	CAM BAR ASSEMBLY
9	1	21720-01	FRONT BRACKET ASSEMBLY
10	1	10047-0	NAME PLATE (NOT SHOWN)

NOTE:  
 -FOR TYPICAL AIR, HYDRAULIC, & ELECTRICAL CONTROL CIRCUITS SEE HAUSE DRAWINGS.  
 #22751-1  
 USE #21741-91 SERVICE KIT.  
 -SEE #22784-00 4-WAY VALVE INSTALLATION ASSEMBLY FOR BASIC AIR-HYD. "A" UNIT.



10" STROKE AIR-HYDRAULIC HOLOMATIC W/O RETRACT FEED  
 STAMP HAUSE PART NUMBERS ON ALL PARTS REMOVE ALL BURS & BREAK ALL CORNERS  
 PLOT DATE: 12/17/2002, 14:09 LHM

DESIGNER: JAMES HAUSE	DATE: 1/2	REV: 1
CHECKER: JAMES HAUSE	DATE: 9/13/95	REV: 2
APPROVED: JAMES HAUSE	DATE:	REV:
HAUSE & COMPANY, INC.	197-42	22739-06