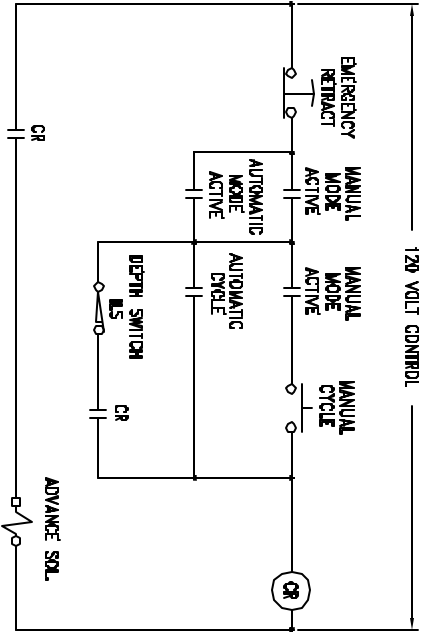
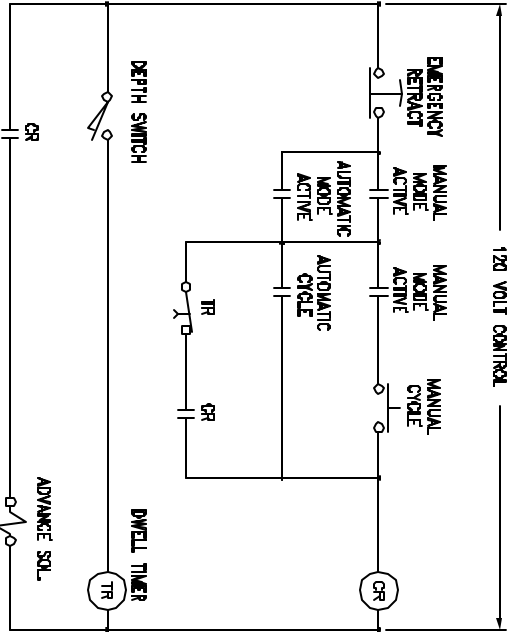


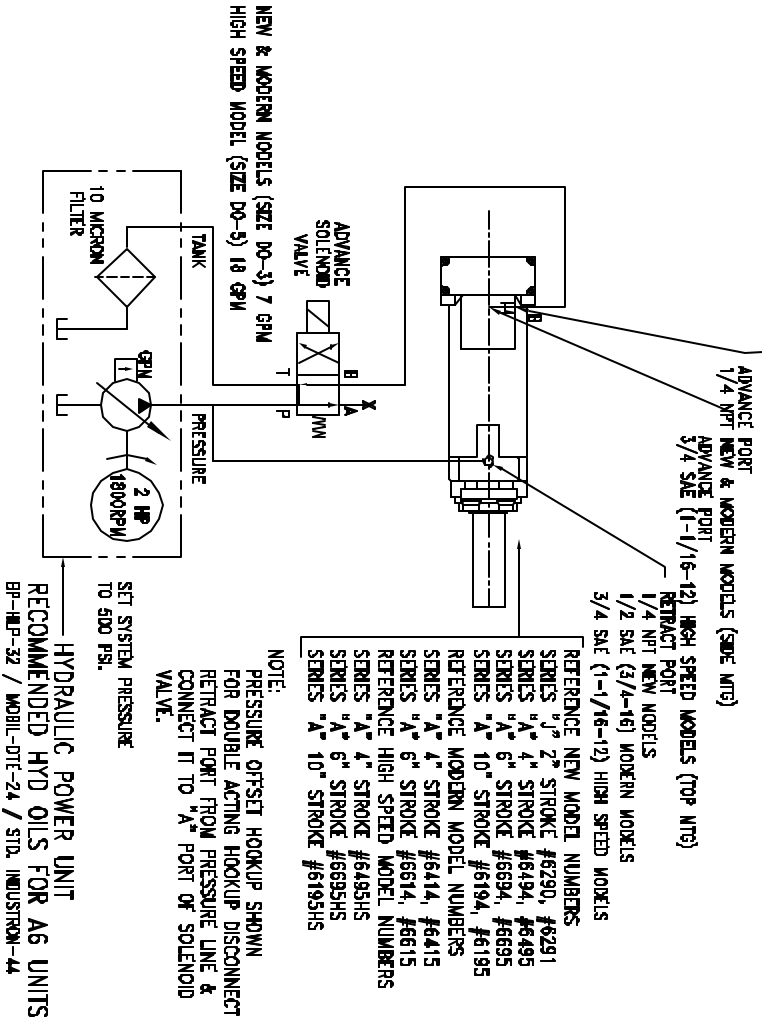
TYPICAL UNIT ELECTRICAL CONTROL



TYPICAL UNIT ELECTRICAL CONTROL WITH DWELL TIMER



SUGGESTED HYDRAULIC CIRCUIT



⚠ DANGER ⚠

—ADDING MACHINERY—
USE APPROPRIATE SAFETY
EQUIPMENT OR PERSONAL
INQUIRY MAY RESULT
1. DO NOT OPERATE MACHINE
WITH GUARDS REMOVED
2. BE SURE POWER IS (OFF) AND
MACHINE IS DEENERGIZED
BEFORE ANY MAINTENANCE OR
ANY TYPE MACHINE CLEAN-UP
3. MACHINE MUST BE CONNECTED TO
BALANCE ELECTRICAL SAFETY GROUND
OR ANY ROTATING OR SLIDING SURFACES
4. MAINTAIN PROPER OIL LEVELS
AND OIL GRADES AT ALL TIMES
5. SHUT OFF, OBSERVED AND
DEENERGIZED BEFORE ANY
EFFORT TO TAKE PRESSURE
PRESSURE BEFORE SERVICE UNIT
7. DO NOT OPERATE MACHINE IN A
MANNER WHICH HAS NOT BEEN

- SAFETY NOTES---
- 1) BE SURE POWER IS (OFF) AND (LOCKED OUT) BEFORE PERFORMING ANY MACHINE MAINTENANCE OR ANY TYPE OF MACHINE CLEAN-UP.
 - 2) MACHINE MUST BE CONNECTED TO BUILDING ELECTRICAL SAFETY GROUND.
 - 3) SHUT OFF, DISCONNECT AND BLEED OFF TO TANK ANY RESIDUAL HYDRAULIC PRESSURE BEFORE SERVICING HOLOMATIC.
 - 4) MAINTAIN PROPER OIL LEVELS AND GRADES IN HOLOMATIC AT ALL TIMES.
 - 5) DO NOT TOUCH HEATED SURFACES OR ANY ROTATING OR SLIDING PARTS OF HOLOMATIC.
 - 6) GUARD TOOL IN SPINDLE WHENEVER POSSIBLE TO SUIT APPLICATION.

PLOT DATE: 12/04/2007; 15:26 LGW

SCALE	QTY	PART #	DESCRIPTION

THIS DRAWING IS THE PROPERTY
OF HAWK MACHINES, INC. IT IS
RETURNED TO THE DRAWER ON REQUEST. IT IS
FOR CONSIDERED USE OF THE
DRAWING REVISION AND MUST
BE IDENTICAL TO THESE MACHINES
INDISPENSABLE

REV	DATE	BY	DESCRIPTION
1	2/78	WJG	REVISED TO AG UNITS
2	5/78	WJG	REVISED TO AG UNITS

2271-2