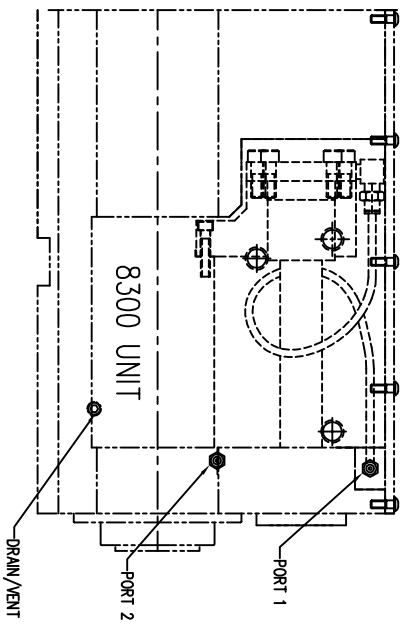
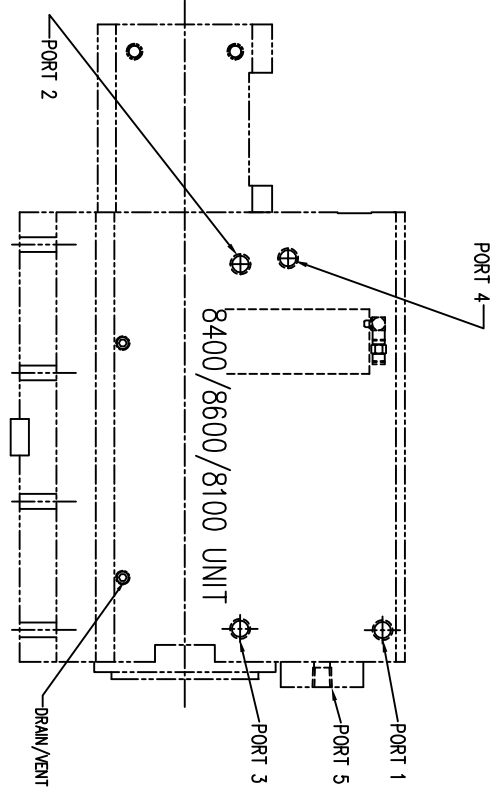


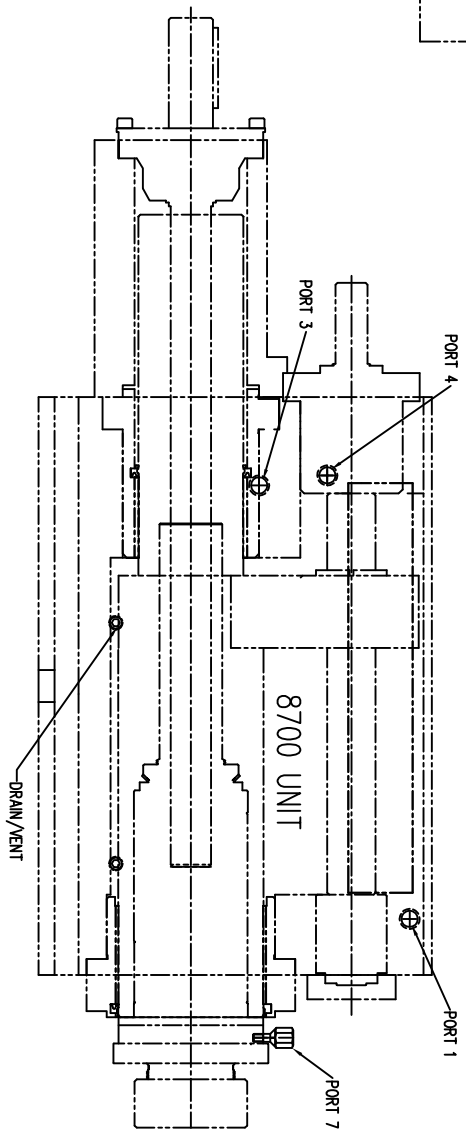
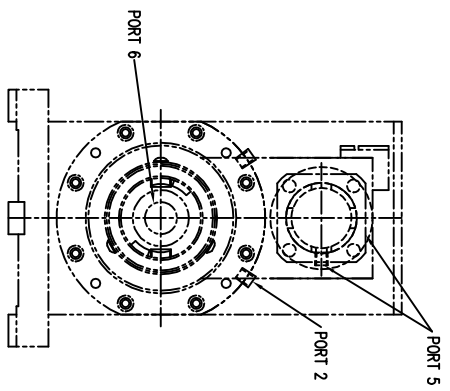
LUBE REQUIREMENTS FOR MODEL 8400-8600-8100 BALL SCREW UNITS

MOBIL #1 SYNTHETIC HP GREASE @ 500 RPM / 500 HRS	MOBIL #1 SYNTHETIC HP GREASE @ 500 RPM / 1000 mm TRAVEL	MOBIL #1 SYNTHETIC HP GREASE @ 500 RPM / 500 HRS
PORT SURFACE	LUBE	PORT SIZE
1 BALL NUT	.6 cm <sup>3</sup> OIL	1/8-27 NPT
2 QUILL BRG	.03 cm <sup>3</sup> OIL	1/8-27 NPT
3 QUILL BRG	2.5 GRAMS GREASE	1/8-27 NPT
4 BALL SCR	.03 cm <sup>3</sup> OIL	1/8-27 NPT
5 BALL SCR	.02 cm <sup>3</sup> OIL	1/8-27 NPT
SUPPORT BRG	5 GRAMS GREASE	1/8-27 NPT
SUPPORT BRG	.01 cm <sup>3</sup> OIL	1/8-27 NPT
SUPPORT BRG	2.5 GRAMS GREASE	



LUBE REQUIREMENTS FOR MODEL 8700 BALL SCREW UNIT

MOBIL VACTRA #2 OIL @ 500 RPM / 1000 mm TRAVEL	MOBIL #1 SYNTHETIC HP GREASE @ 500 RPM / 500 HRS	MOBIL #1 SYNTHETIC HP GREASE @ 500 RPM / 1000 mm TRAVEL
PORT SURFACE	LUBE	PORT SIZE
1 BALL NUT	1.2 cm <sup>3</sup> OIL	1/8-27 NPT
2 QUILL BRG	.06 cm <sup>3</sup> OIL	1/8-27 NPT
3 QUILL BRG	5 GRAMS GREASE	1/8-27 NPT
4 QUILL BRG	.06 cm <sup>3</sup> OIL	1/8-27 NPT
5 BALL SCR	5 GRAMS GREASE	1/8-27 NPT
6 BALL SCR	.04 cm <sup>3</sup> OIL	1/8-27 NPT
SUPPORT BRG	10 GRAMS GREASE	1/8-27 NPT
SUPPORT BRG	.02 cm <sup>3</sup> OIL	1/8-27 NPT
SUPPORT BRG	5 GRAMS GREASE	1/8-27 NPT
SPLINE DRIVE	15 GRAMS GREASE	1/8-27 NPT
SPLINE BRG.	1.2 cm <sup>3</sup> OIL	1/8-27 NPT
	11 GRAMS GREASE	W/ ADP.



LUBE REQUIREMENTS FOR SERIES A8 BALL SCREW UNITS

MOBIL VACTRA #2 OIL @ 500 RPM / 1000 mm TRAVEL	MOBIL #1 SYNTHETIC HP GREASE @ 500 RPM / 500 HRS	MOBIL #1 SYNTHETIC HP GREASE @ 500 RPM / 1000 mm TRAVEL
PORT SURFACE	LUBE	PORT SIZE
1 BALL NUT	6 cm <sup>3</sup> OIL	1/4-28
2 QUILL BRG	5.5 GRAMS GREASE	1/4-28
	.03 cm <sup>3</sup> OIL	
	2.5 GRAMS GREASE	

TITLE: LUBRICATION SYSTEM ASSEMBLY FOR BALLSCREW UNITS FOR 8300/8400/8600/8100 UNITS

STAMP HAUSE PART NUMBER ON ALL PARTS REMOVE ALL BURRS & BREAK ALL CORNERS

DATE: \_\_\_\_\_

SCALE: \_\_\_\_\_

WALT: \_\_\_\_\_

FINISH: \_\_\_\_\_

CODE: \_\_\_\_\_

REF: 23523-00

DWG # \_\_\_\_\_

LUBRICATE

TOLERANCES UNLESS OTHERWISE SPECIFIED: .0004-.0005 .04-.02 ANGLES .5° FRACTIONS 1/64

HAUSE MACHINES, INC. J.B.H. OHIO U.S.A.