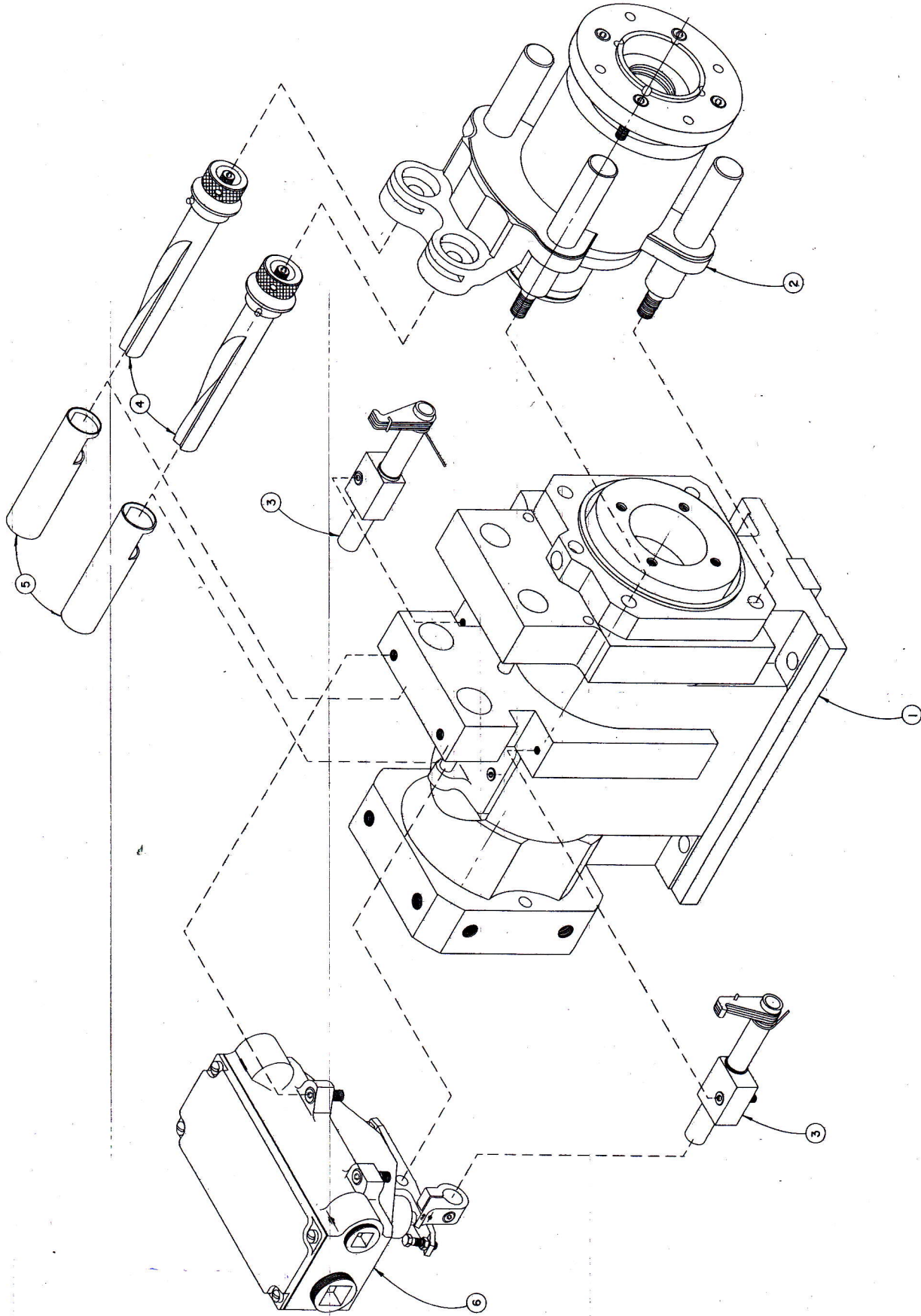


CODE	QUAN	PART NO	DESCRIPTION
1	1	21872-01	HOUSING ASSY
2	1	21873-01	FRONT BRACKET ASSY
3	1	21877-01	LEVER ASSY - ADVANCE & RETRACT
4	1	21871-01	CAM BAR ASSY - ADVANCE & RETRACT
5	2	20680-1	CAM BAR COVER
6	1	21870-01	SWITCH BOX CONTROL ASSY



HOLOMATIC 2" LEAD SCREW  
 ASSY-BASIC UNIT-SERIES "N"  
 HAUSER MACHINES, INC  
 1000 S. 10th St.  
 MILWAUKEE, WIS. 53211  
 U.S.A.  
 No. 21878-01