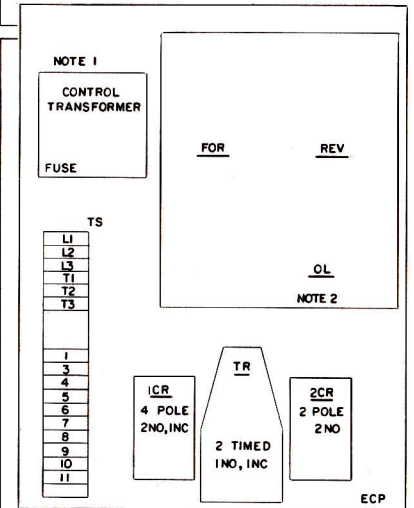
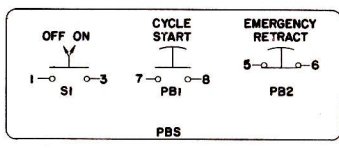
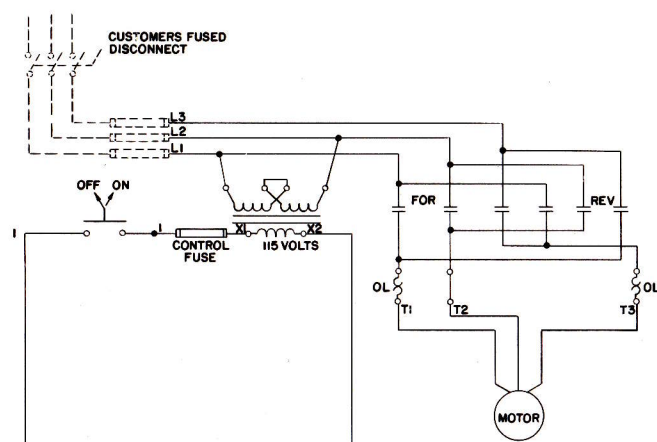


SYMBOL	QUAN	DESCRIPTION
FOR-REV	1	A-B BUL. 505-B0D REVERSING MOTOR STARTER
S1	1	A-B BUL.800TH2D1 SWITCH
PB1	1	A-B BUL.800TD9D1 BUTTON
PB2	1	A-B BUL.800TD6D2 BUTTON
TR	1	A-B BUL.849A-Z0D25 TIMING RELAY
TS	1	A-B BUL.1492-N16 BARRIER PLATE
	17	A-B BUL.1492-CA1 TERMINAL BLOCK
	2	A-B BUL.1492-N2 RETAINING CLIPS
	9"	A-B BUL.1492-N1 MOUNTING CHANNEL
CR	1	A-B BUL.700N400A1 RELAY
PBS	1	E3PB OIL TIGHT PUSH BUTTON ENCLOSURE
ECP	1	KEYSTONE 36360 ENCLOSURE NEMA 12
"	1	" 32020 PANEL
CON.TRAN.	1	ACME TA-1-81211
2CR	1	A-B BUL.700N200A1 RELAY
REV #F	2	" " 595-B N.C. AUX. CONTACT

230/460 VOLT 3 PHASE
60 HZ POWER SUPPLY



NORMAL OPERATING SEQUENCE
REF BUL 21888-01

- TURN ON CONTROL SWITCH.
- MOMENTARILY PRESS "CYCLE START" BUTTON.
- ICR RELAY WILL PICK UP AND HOLD. FOR CONTACTOR WILL PICK UP AND MOTOR RUNS FORWARD.
- AS SCREW TRAVELS FORWARD, THE RETRACT POSITION SWITCH IS RELEASED ESTABLISHING CIRCUIT TO REV AND ICR CONTACTS. WHEN SCREW TRAVELS TO DEPTH LIMIT, THE DEPTH SWITCH IS RELEASED.
- ICR RELAY AND FOR CONTACTOR DROP OUT. REV CONTACTOR AND TR RELAY PICK UP AND HOLD. MOTOR RUNS IN REVERSE.
- THE DEPTH SWITCH RETURNS TO ITS ORIGINAL POSITION, WHEN THE SCREW REACHES ITS STARTING POINT, THE RETRACT POSITION SWITCH IS RETURNED TO ITS ORIGINAL POSITION DROPPING OUT THE TR RELAY AND REV CONTACTOR.
- THE FOR CONTACTOR PICKS UP MOMENTARILY THRU TR CONTACT PLUGGING MOTOR TO A STOP AND CYCLE IS COMPLETE.

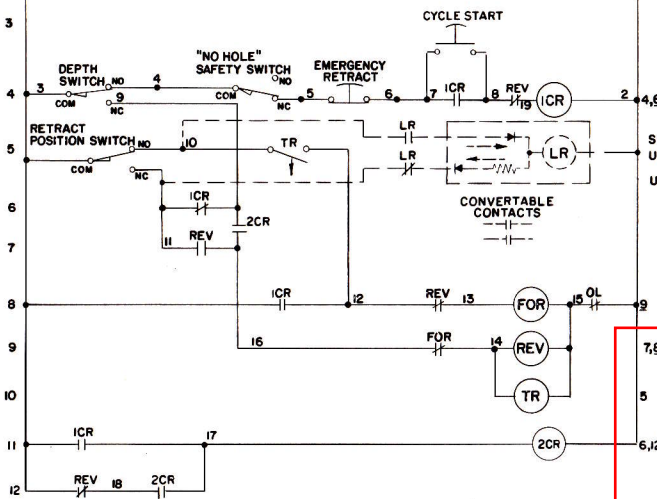
EMERGENCY RETRACT-
MOMENTARILY PRESS "EMERGENCY RETRACT" BUTTON. UNIT WILL RETURN TO STARTING POINT.

"NO HOLE" SAFETY SWITCH-
SWITCH TRIPS IF A "NO HOLE" CONDITION OR AN OBSTRUCTION TO THE FORWARD MOTION OCCURS. MOTOR AUTOMATICALLY REVERSES, RETURNING SCREW TO STARTING POSITION. SWITCH IS READY TO START A NEW CYCLE.

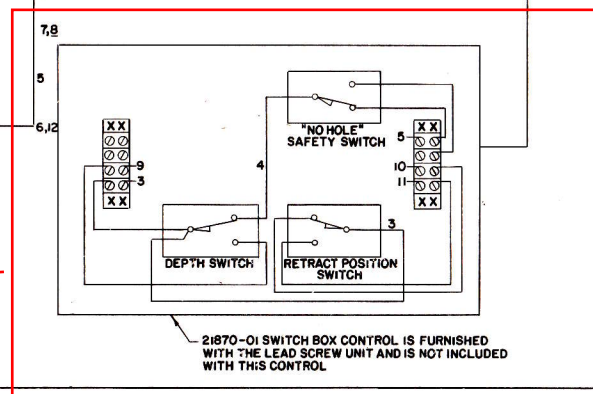
2CR'S FUNCTION -
PREVENT MOTOR FROM REVERSING UNTIL AFTER UNIT HAS CYCLED

NOTE 1
SEE TRANSFORMER CONNECTION DIAGRAM INSIDE ENCLOSURE COVER WHEN CHANGING SUPPLY VOLTAGE.

NOTE 2
SELECT CORRECT HEATER ELEMENTS FROM MOTOR NAME PLATE AND HEATER CHART INSIDE ENCLOSURE COVER.



SUGGESTED INTERLOCK SYSTEM FOR USE WITH MACHINE CONTROL (SHOWN DOTTED)
USE A-B BUL. 700NM200A1, LATCHING RELAY



This switch box is included with the unit. ←

NOTE:
ALL REV. CONTROLS PRIOR TO APRIL, 1983 WERE IN NEMA 1 ENCLOSURES REF: A-B BUL 705-BAB-43 REV. CONTROL

MOTOR REVERSING CONTROLS			
SERIES "A7" LEAD SCREW			
HAUSE MACHINES INC			
MONTPELIER, OHIO			
DR	PH	SCALE	DATE
REF	CHK	NO	2-26-70
			NO 21913-01