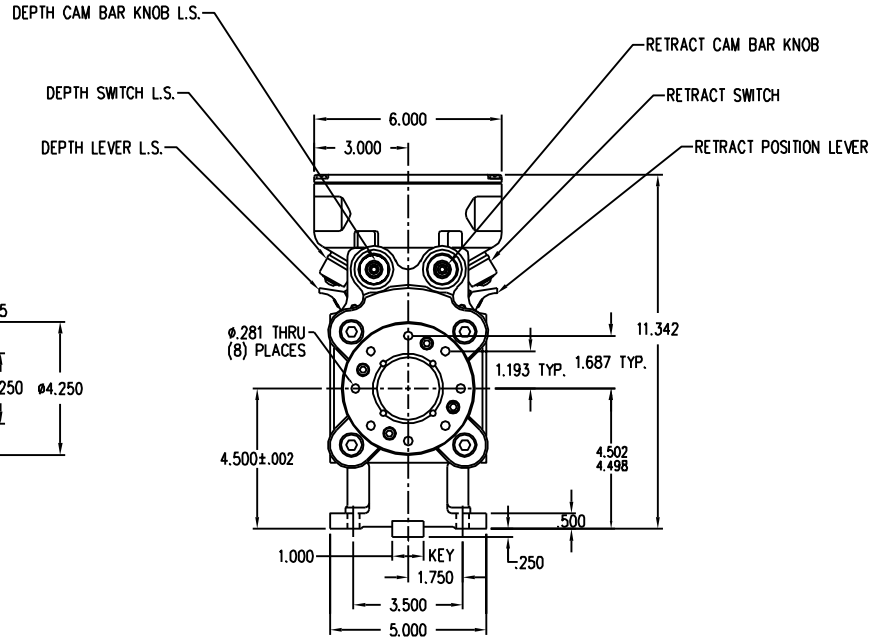
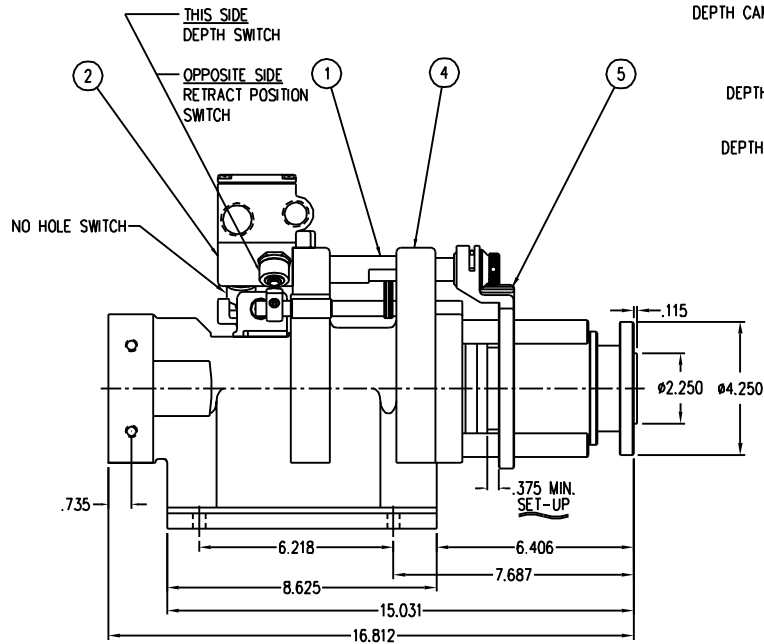
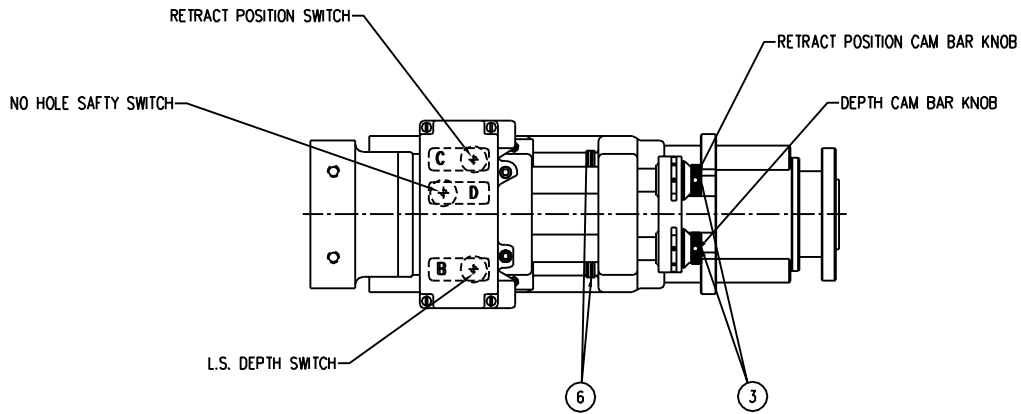


CODE	QTY	PART NO.	DESCRIPTION
1	2	20680-1	CAM BAR COVER
2	1	21870-01	SWITCH BOX CONTROL ASSEMBLY
3	1	21871-01	CAM BAR ASSEMBLY (ADV. & RET.)
4	1	21872-01	HOUSING ASSEMBLY
5	1	21873-01	FRONT BRACKET ASSEMBLY
6	1	21877-01	LEVER ASSEMBLY (ADV. & RET.)
7	1	10726-0	SOCKET SCREW KEY SET (NOT SHOWN)
8	1	10047-0	NAME PLATE (NOT SHOWN)



TITLE: 2" LEAD SCREW HOLOMATIC		STAMP HAUSE PART NUMBER ON ALL PARTS REMOVE ALL BURRS & BREAK ALL CORNERS	
PLOT DATE: 06/04/2009; 15:55 JEH		CODE:	
TOLERANCES UNLESS OTHERWISE SPECIFIED: DIMENSIONS: .0015 ANGLES: .0015 RADIUS: .0015	HAUSE MACHINES, INC. MONTPELIER, OHIO U.S.A.	DRAWN: J.W.E. CHECKED: JEH DATE: 4/12/95	SCALE: 1/2 MAY: FMSR REF: 7204-A7 DWG # 22797-01