



# Adjustable Multiple Spindle Head



T-72



T-108  
T-121

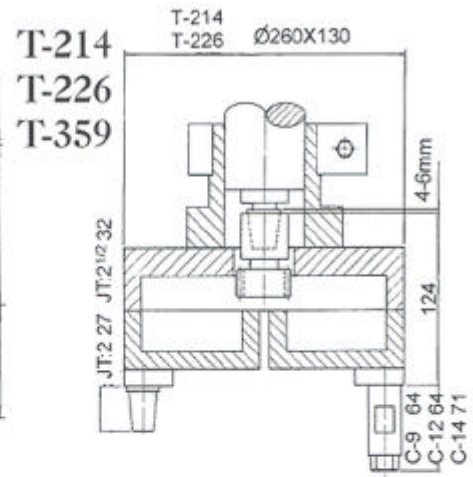
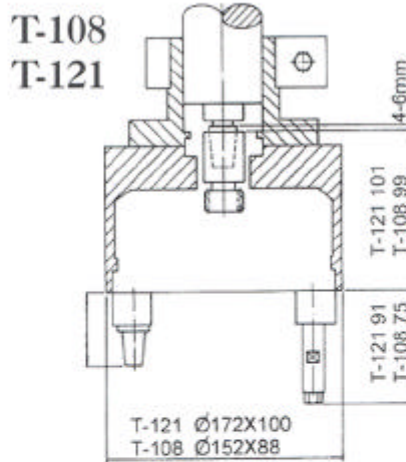
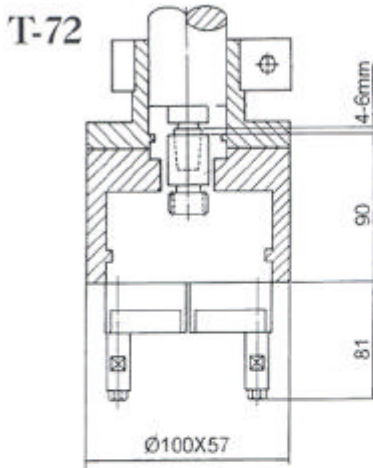


T-214  
T-226  
ER Type



T-214  
T-226  
Floating Adapter Type

Patent No. 79022



| Model                                     | T-72 | T-108 | T-121 | T-214 | T-226 | T-359 |
|---|------|-------|-------|-------|-------|-------|
| Max. Distance between Spindles            | 72   | 108   | 121   | 214   | 226   | 359   |
| Min. Spindle Diameter                     | 12.5 | 18    | 24    | 45.5  | 33.5  | 56    |
| Min. Distance between Spindles            | 12.5 | 18    | 24    | 45.5  | 33.5  | 56    |
| Ratio of input/output RPM                 | 1:1  | 1:1   | 1:1   | 1:1   | 1:1   | 1:1   |
| Max. Drilling Capacity in Mild Steel (mm) | Ø4   | Ø6    | Ø8    | Ø11   | Ø9    | Ø9    |
| Max. Tapping Capacity in Mild Steel (mm)  | M4   | M6    | M7    | M12   | M8    | M8    |
| Number of Spindles                        | 2    | 2     | 2     | 2     | 2     | 2     |