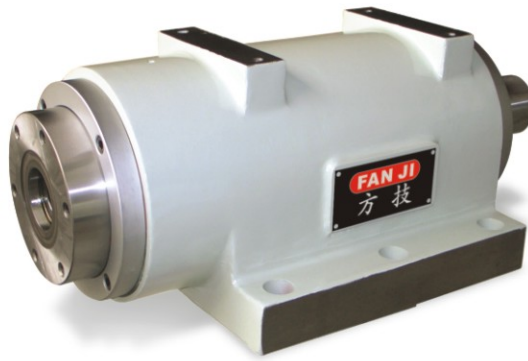


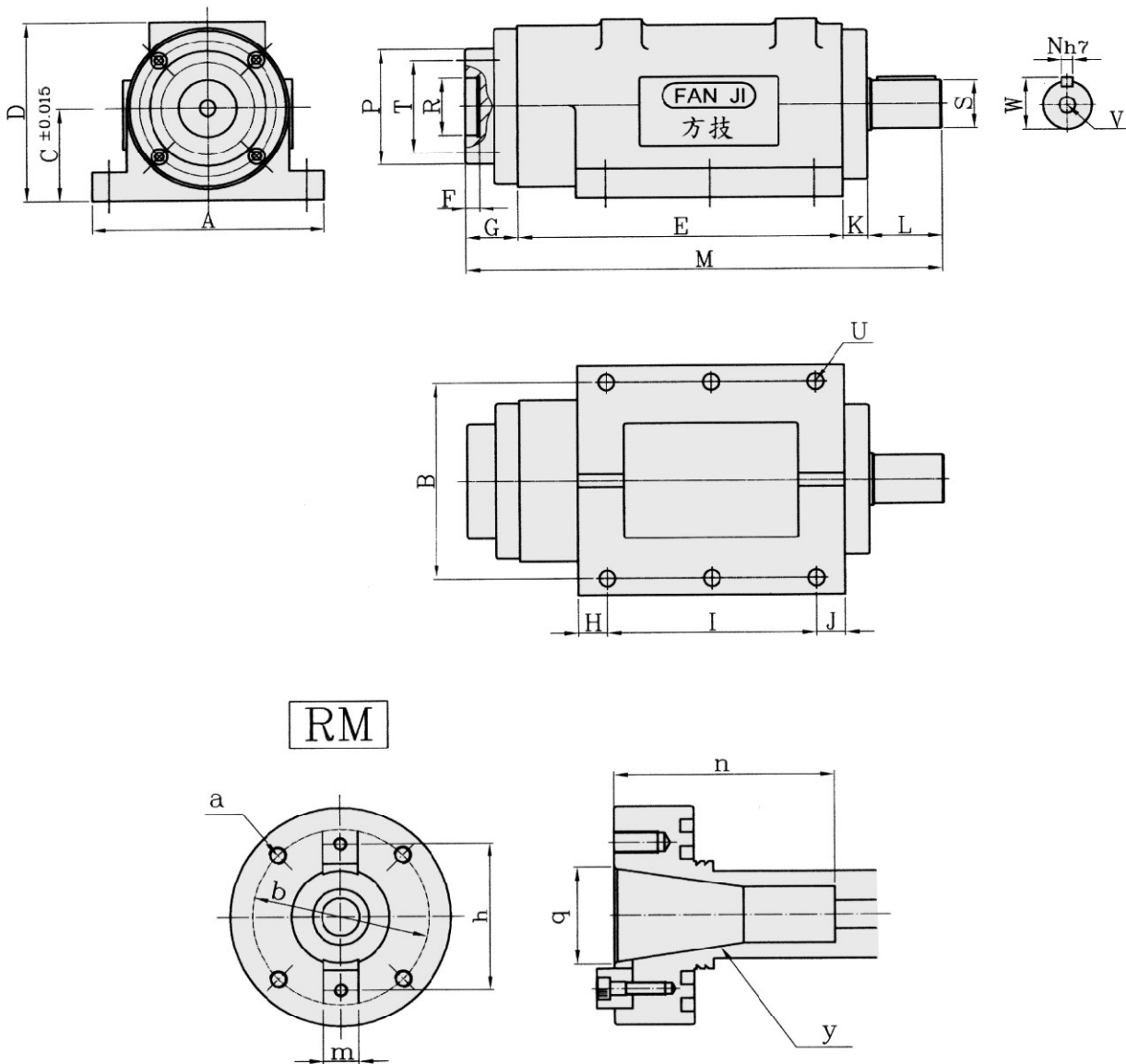


R-Series

Boring Unit



Dimensions





R-Series

Boring Unit

Specification

Model Dimension	R-30	R-35	R-40	R-50	R-60	R-70	R-80	R-100	R-120
A	160	160	150	200	240	240	280	340	390
B	135	135	120	170	205	205	240	290	340
C	65	65	80	80	90	90	110	130	160
D	125	125	155	155	180	180	215	260	315
E	160	160	280	230	250	250	300	320	370
F	12	12	12	12	12	12	12	25	25
G	40	40	45	45	50	50	50	60	60
H	20	20	25	25	35	35	30	40	45
I	120	120	180	180	180	180	240	240	280
J	20	20	45	25	35	35	30	40	45
K	20	20	25	25	30	30	30	40	40
L	50	50	60	60	80	80	90	100	120
M	310	310	410	410	460	460	540	600	670
N	6h7	6h7	8h7	10h7	12h7	15h7	15h7	18h7	20h7
P	φ 80	φ 80	φ 100	φ 100	φ 120	φ 120	φ 140	φ 200	φ 220
R	φ 30H7	φ 30H7	φ 50H7	φ 50H7	φ 50H7	φ 50H7	φ 50H7	φ 50H7	φ 50H7
S	φ 26h7	φ 26h7	φ 30h7	φ 42h7	φ 50h7	φ 60h7	φ 65h7	φ 75h7	φ 90h7
T	φ 65x4 M8x15 ℓ	φ 65x4 M8x15 ℓ	φ 80x4 M10x15 ℓ	φ 80x4 M10x20 ℓ	φ 100x4 M10x20 ℓ	φ 100x4 M10x20 ℓ	φ 120x6 M10x20 ℓ	φ 170x6 M12x25 ℓ	φ 180x8 M14x25 ℓ
U	4-φ 11	4-φ 11	6-φ 14	6-φ 14	6-φ 16	6-φ 16	6-φ 18	6-φ 18	6-φ 18
V	φ 14	φ 14	φ 17	φ 17	φ 17	φ 27	φ 27	φ 27	φ 27
W	28.5	28.5	33	45	53	65	70	81	96
a	4-M8x15 ℓ	4-M8x15 ℓ	4-M10x15 ℓ	4-M10x15 ℓ	4-M10x20 ℓ	4-M10x20 ℓ	6-M10x20 ℓ	6-M10x20 ℓ	
b	φ 65	φ 65	φ 80	φ 80	φ 100	φ 100	φ 120	φ 170	
h	50.8	50.8	66.7	66.7	66.7	95	101.6	101.6	
m	15.9h7	15.9h7	15.9h7	15.9h7	15.9h7	25.4h7	25.4h7	25.4h7	
n	73	73	100	100	100	150	150	150	
q	φ 31.75	φ 31.75	φ 44.45	φ 44.45	φ 44.45	φ 69.85	φ 69.85	φ 69.85	
y	NT30	NT30	NT40	NT40	NT40	NT50	NT50	NT50	