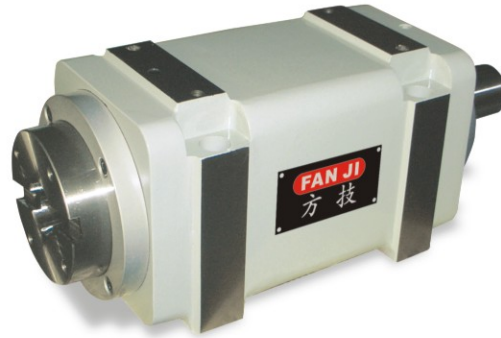


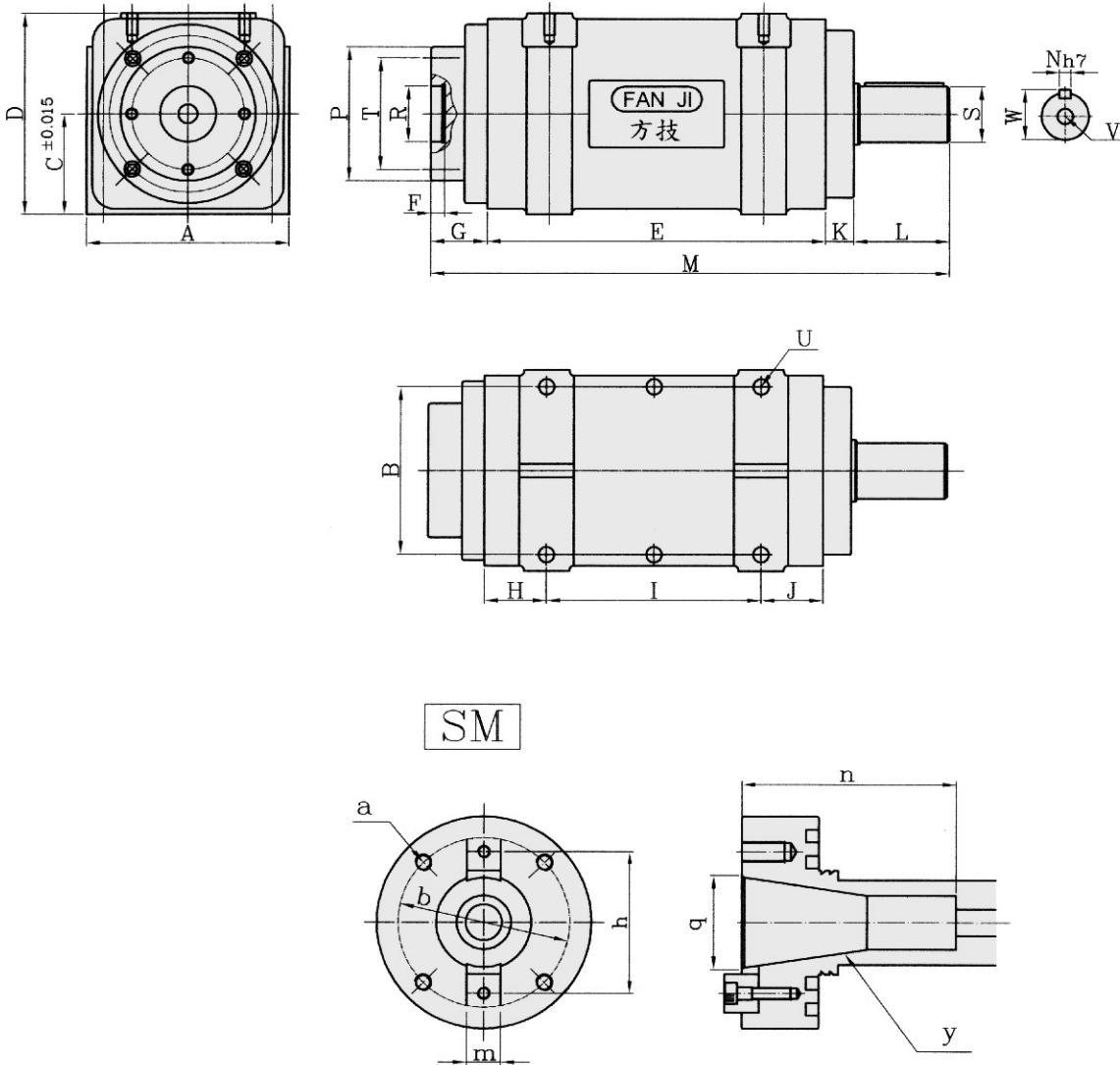


S-Series

Boring Unit



Dimensions





S-Series

Boring Unit

Specification

Model Dimension	S-25	S-30	S-35	S-40	S-50	S-60	S-70	S-80
A	96	120	120	150	150	180	180	210
B	75	95	95	120	120	150	150	175
C	50	65	65	80	80	90	90	110
D	98	125	125	155	155	180	180	215
E	170	200	200	280	280	300	300	370
F	12	12	12	12	12	12	12	12
G	40	40	40	45	45	50	50	50
H	20	35	35	45	45	55	55	55
I	130	130	130	190	190	190	190	260
J	20	35	35	45	45	55	55	55
K	20	20	20	25	25	30	30	30
L	50	50	50	60	60	80	80	90
M	280	310	310	410	410	460	460	540
N	5h7	6h7	6h7	8h7	10h7	12h7	15h7	15h7
P	φ 60	φ 80	φ 80	φ 100	φ 100	φ 120	φ 120	φ 140
R	φ 30H7	φ 30H7	φ 30H7	φ 50H7	φ 50H7	φ 50H7	φ 50H7	φ 50H7
S	φ 18h7	φ 26h7	φ 26h7	φ 30h7	φ 42h7	φ 50h7	φ 60h7	φ 65h7
T	φ 45x4 M8x15 ℓ	φ 65x4 M8x15 ℓ	φ 65x4 M8x15 ℓ	φ 80x4 M10x15 ℓ	φ 80x4 M10x15 ℓ	φ 100x4 M10x20 ℓ	φ 100x4 M10x20 ℓ	φ 120x4 M10x20 ℓ
U	M8x1.25	M8x1.25	M8x1.25	M10x1.5	M10x1.5	M10x1.5	M10x1.5	M10x1.5
V	4-φ 11	4-φ 11	4-φ 11	4-φ 14	4-φ 14	4-φ 16	4-φ 16	4-φ 18
W	20	28.5	28.5	33	45	53	65	70
a		4-M8x15 ℓ	4-M8x15 ℓ	M10x15 ℓ	M10x15 ℓ	M10x20 ℓ	M10x20 ℓ	M10x20 ℓ
b		φ 65	φ 65	φ 80	φ 80	φ 100	φ 100	φ 120
h		50.8	50.8	66.7	66.7	66.7	95	101.6
m		15.9h7	15.9h7	15.9h7	15.9h7	15.9h7	25.4h7	25.4h7
n		73	73	100	100	100	150	150
q		φ 31.75	φ 31.75	φ 44.45	φ 44.45	φ 44.45	φ 69.85	φ 69.85
y		NT30	NT30	NT40	NT40	NT40	NT50	NT50